

# Kodak T-HDX Plate Processors

## Technical Specifications

	T-HDX 850 Plate Processor	T-HDX 1250 Plate Processor	T-HDX 1650 Plate Processor*
Accredited digital plates	<b>Kodak Trillian SP, Electra XD, Sword Ultra, Electra Excel HRO*, Capricorn GT, Capricorn VT* and DITP Gold Thermal Plates, Kodak ThermalNews PT Digital Plates*</b>		
Suitability	Recommended for processing over 30,000 m <sup>2</sup> per year		
Maximum plate width	850 mm	1250 mm	1650 mm
Minimum plate length	285 mm		
Plate gauge	0.15 - 0.40 mm		
Adjustable temperature, developer (Cooling unit included)	18 - 35°C +/- 0.5°C		
Adjustable temperature, dryer	30 - 55°C +/- 0.5°C		
Tank volume, developer	54 liters	79 liters	99 liters
Tank volume, wash	14 liters	20.5 liters	26.5 liters
Tank volume, gum	3.5 liters	4.2 liters	9.0 liters
Water supply	1 - 6 bar (15 - 87 psi) Minimum recommended water pressure with tap water installation = 2.75 bar (40 psi) + 19 liters/min (5 US gal/min)		
Wash	Direct-to-drain or recirculated water		
Water consumption, recirculation	Adjustable, typically 200 mL/m <sup>2</sup>		
Processing speed	50 - 220 cm/min	50 - 180 cm/min	50 - 180 cm/min
Power requirements	50/60 Hz, 3 phase, 230 VAC		
Power consumption	0.5 kW ready / 1.9 kW operation	0.5 kW ready / 2.0 kW operation	0.5 kW ready / 2.0 kW operation
Approvals	UL, c-UL certified. Complies with CE standards and RoHs directive		
Weight, uncrated	350 kg	490 kg	630 kg
Weight, crated	580 kg	780 kg	900 kg

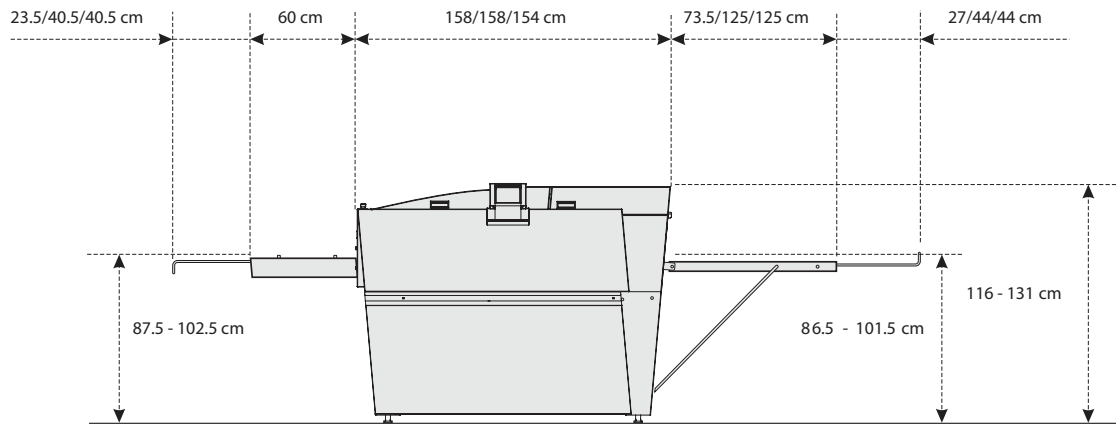
\*Available in EAMER region only



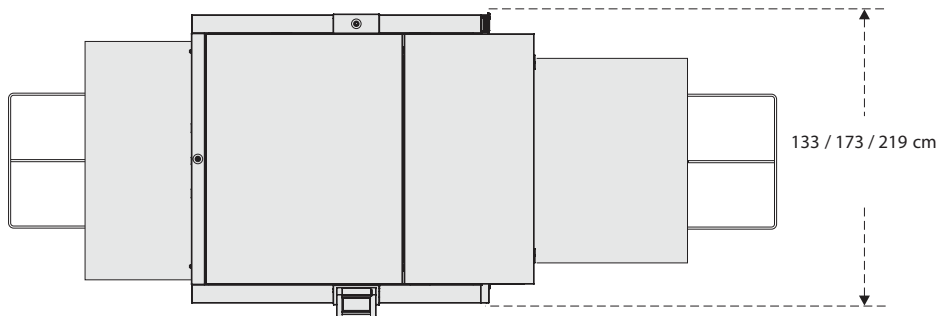
**Kodak**  
T-HDX Plate Processors

# Kodak T-HDX Plate Processor Dimensions

## Side View



## Top View



Drip trays, interfaces, infeed and delivery tables available as options.

**To learn more about solutions from Kodak:**

Visit [graphics.kodak.com](http://graphics.kodak.com)

Produced using Kodak Technology.

Eastman Kodak Company  
343 State Street  
Rochester, NY 14650 USA

©Kodak, 2013. Kodak, Capricorn, DITP Gold, Electra, Electra Excel, Sword Ultra, ThermalNews and Trillian are trademarks of Kodak.

Subject to technical change without notice.

W.PC.141.0513.en.03

**Kodak**

**YELLOW** CHANGES EVERYTHING